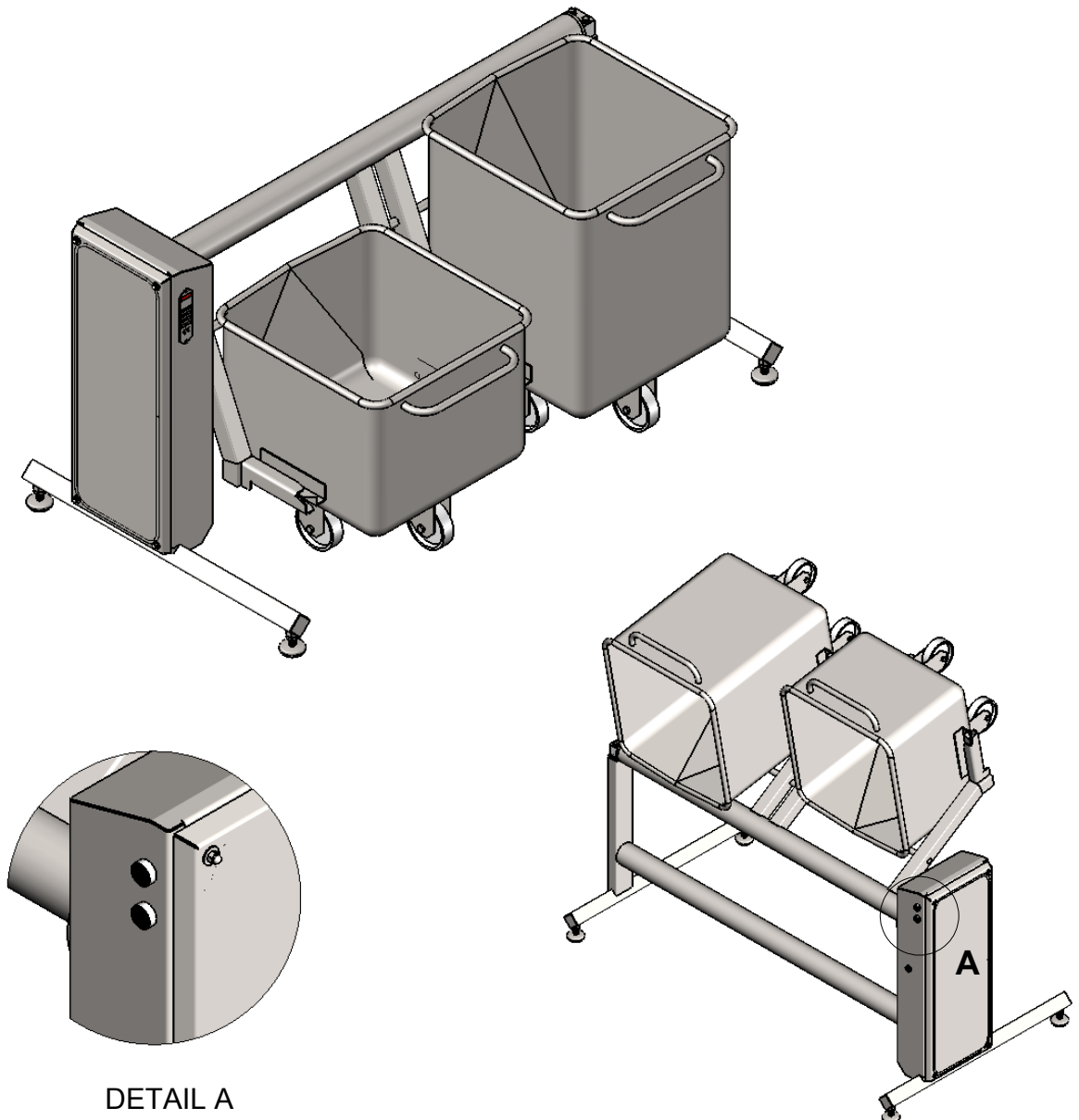
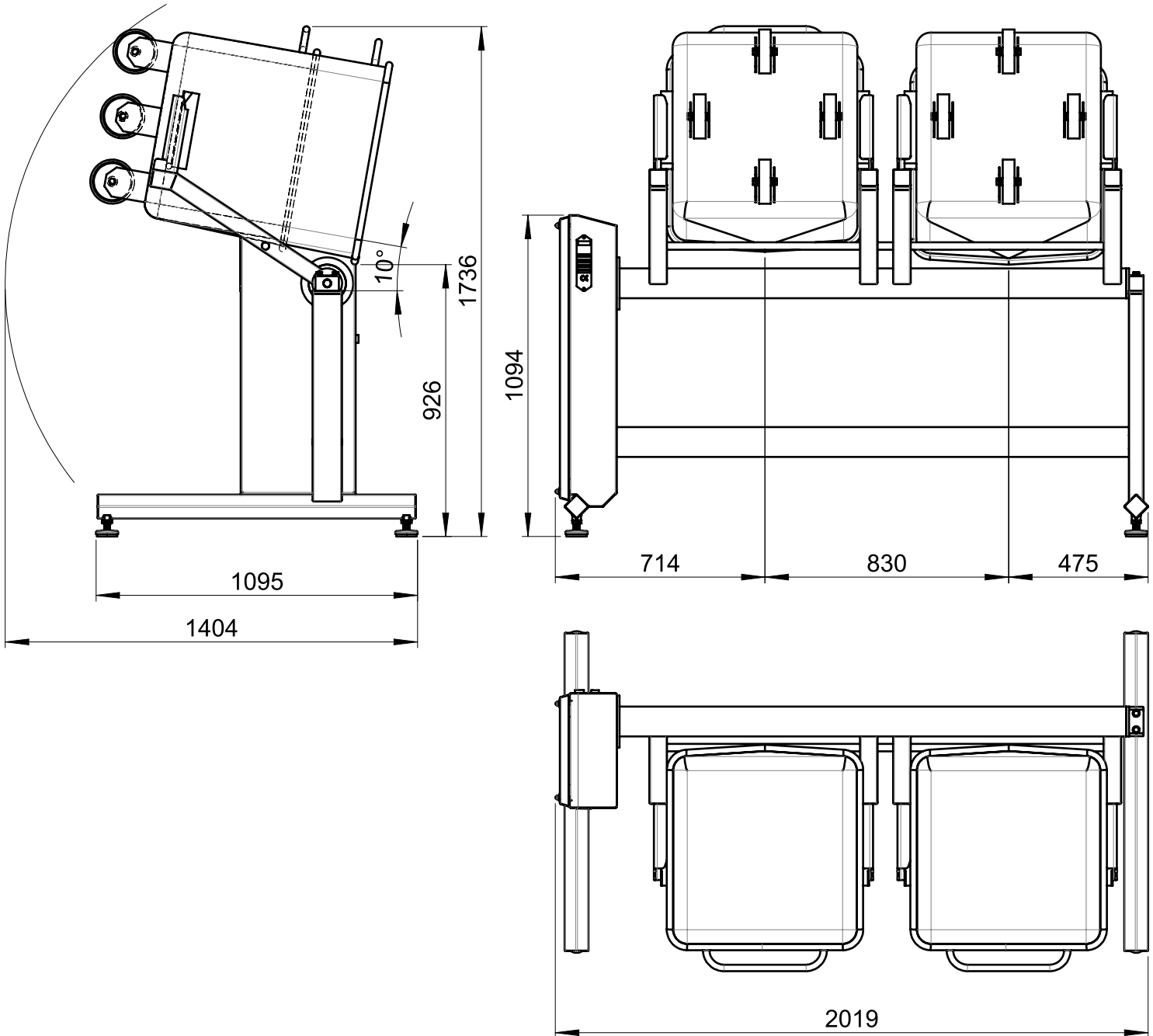


Specifications	
Description	A pneumatic cylinder raises and tilts the eurobin enabling cleaning in one position
Bin type	Standard 200 and 300 litre eurobins (DIN9797)
Safe working load	100kg
Tip angle	100° (10° from horizontal)
Cycle time	20 seconds; 10s raise, 10s lowering
Air supply	Dry, clean filtered compressed air at 6 bar pressure.
Free air consumption	45 litres/cycle, 135 litres/minute flow rate
Materials	304 grade stainless steel
Controls	Hold-to-run pneumatic pushbuttons
Mass	125kg



DETAIL A



Information required	
Air supply	Confirm availability of compressed air supply

<p>BSI ISO 9001 FM 25162</p>	<p><b>SYSPAL LTD Cockshutt Lane, Broseley, Telford, Shropshire, TF12 5JA, England</b></p>		
	<p>t: +44 (0) 1952 883188</p>	<p>f: +44 (0) 1952 884093</p>	<p>e: <a href="mailto:sales@sypal.com">sales@sypal.com</a></p>
<p><a href="http://www.sypal.com">www.sypal.com</a></p>			

**Notes :**