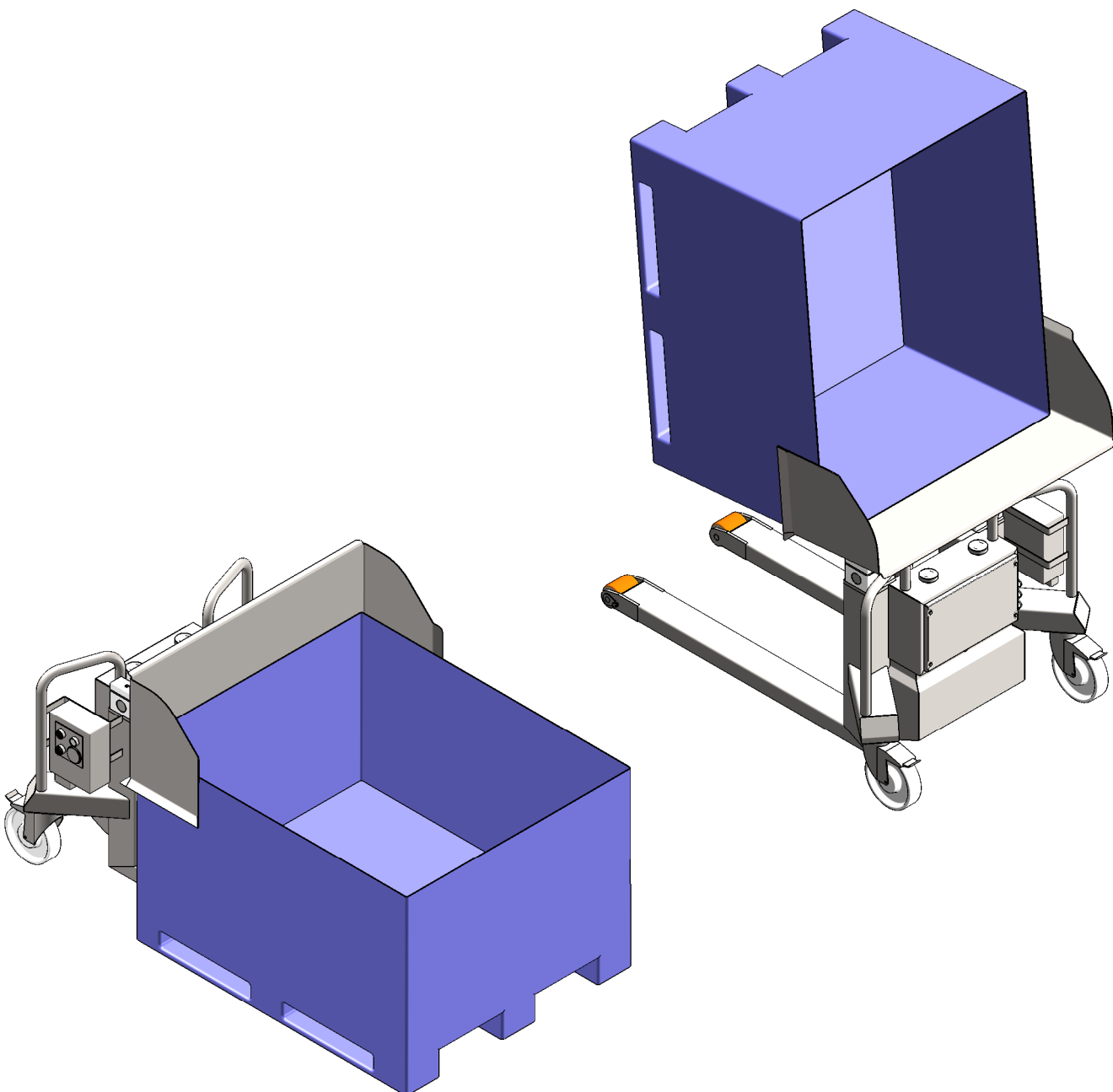
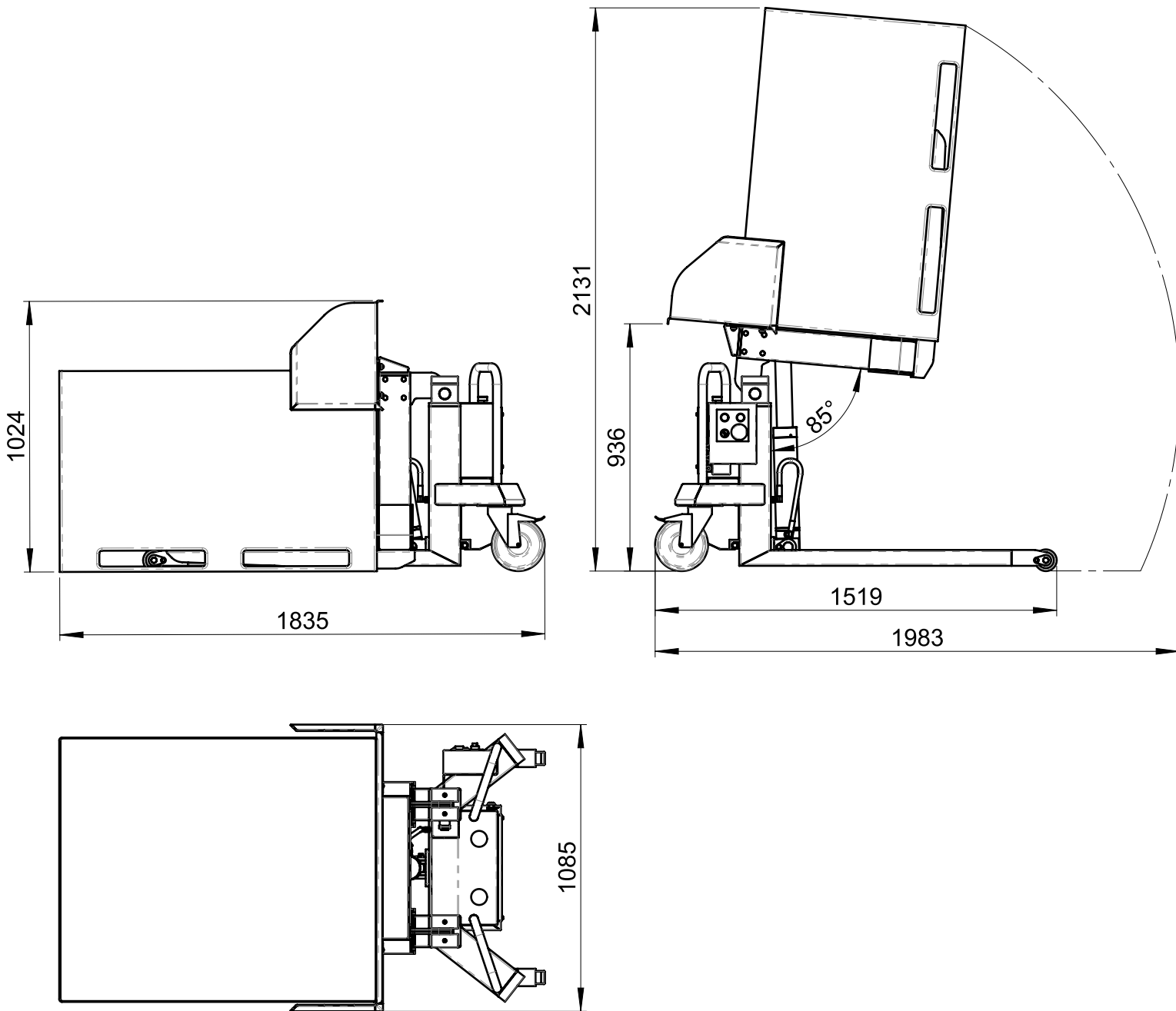


Specifications	
Description	Lifts and tilts to aid the unloading of large containers
Materials	304 grade stainless steel
Bin Type	Containers such as Dolavs and pallet boxes
Safe working load	1000kg
Tip angle	85°
Power supply to charger	240V single phase, 50Hz, 13 amp
Battery, motor and control voltage	12V DC
Operating environment temperature	-10°C to 40°C
Controls	Hold to run push buttons
Drive type	Battery powered hydraulics



**Information required**

Container	Overall dimensions of container
Product type	Weight of product in the container. Name and characteristics of the product
Charger type required	Either non-IP rated (to be used in a dry area) or IP 65



SYSPAL LTD Cockshutt Lane, Broseley, Telford, Shropshire, TF12 5JA, England

t: +44 (0) 1952 883188 f: +44 (0) 1952 884093 e: <mailto:sales@syspal.com>

www.syspal.com

Notes :